

# Pedestal Mounting Bracket for Model 93 Double Lamp

## PRODUCT INFORMATION

---

<b>Description</b>	Pedestal Mounting Bracket for Model 93 Double Lamp
<b>Product Weight</b>	0.44 lbs / 0.2 kgs
<b>Shipping Weight</b>	0.46 lbs / 0.21 kgs



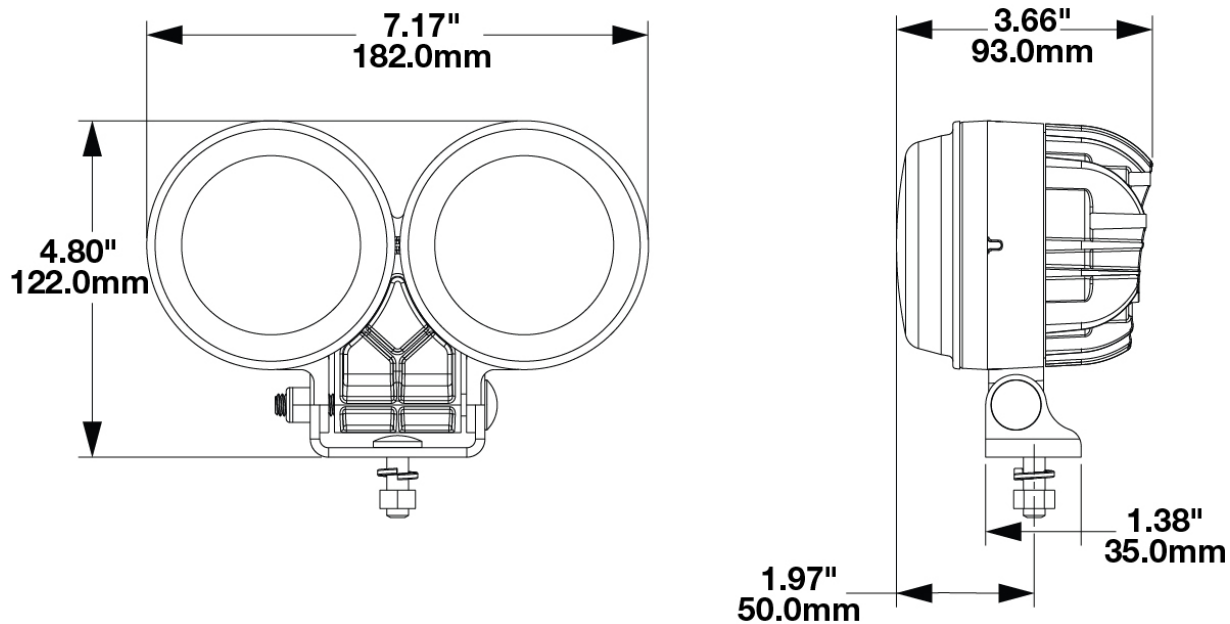
---

**Print date: 2024-08-15**

© 2024 J.W. Speaker Corporation • Germantown, WI U.S.A.  
www.jwspeaker.com • speaker@jwspeaker.com • 262.251.6660

# Pedestal Mounting Bracket for Model 93 Double Lamp

## PRODUCT DIMENSIONS



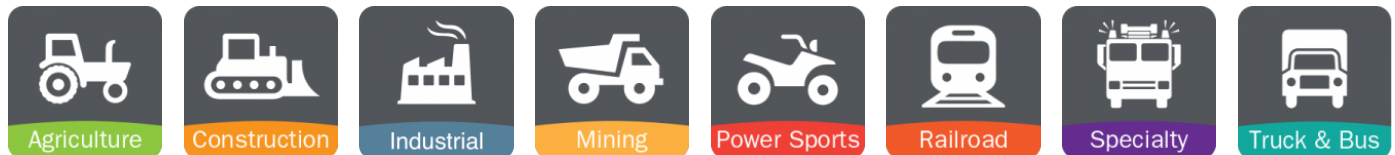
## REGULATORY STANDARDS COMPLIANCE



Buy America Standards

Eco Friendly

## APPLICATIONS



Print date: 2024-08-15

© 2024 J.W. Speaker Corporation • Germantown, WI U.S.A.  
www.jwspeaker.com • speaker@jwspeaker.com • 262.251.6660

# Pedestal Mounting Bracket for Model 93 Double Lamp

## ADDITIONAL INFORMATION

---

### Kit Includes:

- (x1) 5/16 X 1 Carriage Bolt
- (x1) 5/16 X 3 Carriage Bolt
- (x1) Double Clamp for Model 93
- (x1) Mounting Bracket
- (x1) 5/16 Lock Nut With Nylon Insert
- (x1) 5/16 Nut
- (x1) Lock Washer

## PRODUCT WARNINGS

---

For California residents:

⚠ **WARNING:** Cancer and reproductive harm - [www.P65Warnings.ca.gov](http://www.P65Warnings.ca.gov).

⚠ **AVERTISSEMENT:** Cancer et effet nocif sur la reproduction - [www.P65Warnings.ca.gov](http://www.P65Warnings.ca.gov).

## SUITS THESE PRODUCTS

---



### **90mm Round LED Lights**

90mm LED Headlight -  
Model 93

---

**Print date: 2024-08-15**

© 2024 J.W. Speaker Corporation • Germantown, WI U.S.A.  
[www.jwspeaker.com](http://www.jwspeaker.com) • [speaker@jwspeaker.com](mailto:speaker@jwspeaker.com) • 262.251.6660

**J.W. SPEAKER**   
*Engineered. Lighting. Solutions.*